

PROFESSIONAL SERIES

INTERNAL COMBUSTION ENGINE FORKLIFTS

13,200-22,000 LB



The Professional Series of Heavy Duty LPG & Diesel Forklifts from Stärke Material Handling Group



GREAT VALUE DURABLE CONSTRUCTION

Robust. Safe. Comfortable.

Stärke Professional heavy duty forklifts are built specifically for heavy lifting and designed to withstand even the most challenging material handling applications. With lifting capacities up to 22,000 pounds, tough engines and a compact chassis, Professional forklifts have been designed to deliver strength, durability and maneuverability at an excellent value for your dollar. Available in Diesel, Gas and LPG internal combustion engines with the option for solid pneumatic and pneumatic air tires, the Stärke Professional Series has a truck that will fit your heavy lifting needs.

Professional Series forklifts integrate high end features, without the high end price tag. Offering exceptional visibility, enhanced operator ergonomics, and dedicated attention to detail with operator safety in mind. All Stärke forklifts have CE Certification, are produced in an ISO9001 accredited facility, and meet or exceed ANSI/ASME B56.1 standards. Stärke has built a rugged and reliable workhorse that will stand up to the toughest jobs for the long haul, and keep your operators safe.

Every Stärke Professional forklift is backed by a dealer network with factory trained technicians, fully stocked parts departments and an industry leading warranty, Stärke Professional trucks are ready for years of trouble free service.



ERGONOMIC OPERATION • FIRST-CLASS RELIABILITY • R



FEATURES & BENEFITS

RUGGED CONSTRUCTION • REMARKABLE PRODUCTIVITY • EXCEPTIONAL DURABILITY • MAXIMIZED VISIBILITY



ERGONOMICS AND SIMPLIFIED OPERATION

The Professional Series cabin design has been developed with the operator in mind, offering better visibility, enhanced comfort, and simplified operation. The high end features focus on safety and operator ergonomics, and provide maximum operating efficiency.



Easy Entry and Exit

The easily accessible step with non-slip surface and operator entry handles allow for safe entry and exit from the truck.



Tilt Steering Column

Tilt Steering provides flexibility and operator ergonomics, allowing for adjustments to create a comfortable ride for operators of all builds.



Hydraulic Steering System

The Hydraulic Steer Axle enables very tight steering angles resulting in excellent maneuverability and overall responsiveness.



Mast Lock System (Optional)

For added safety and prevention of accidents involving the mast and forks, the optional Mast Lock System locks all lifting and tilting features as soon as the operator leaves the seat.



Electronic Throttle Control

Ample operator foot room and electronic throttle control offer operators a comfortable and responsive ride.

Neutral Safety Start System

The Neutral Safety Start System requires the Forward/Reverse lever to be in the neutral (N) position before the engine can be started. This provides protection from accidents and damage caused by starting the truck in gear.

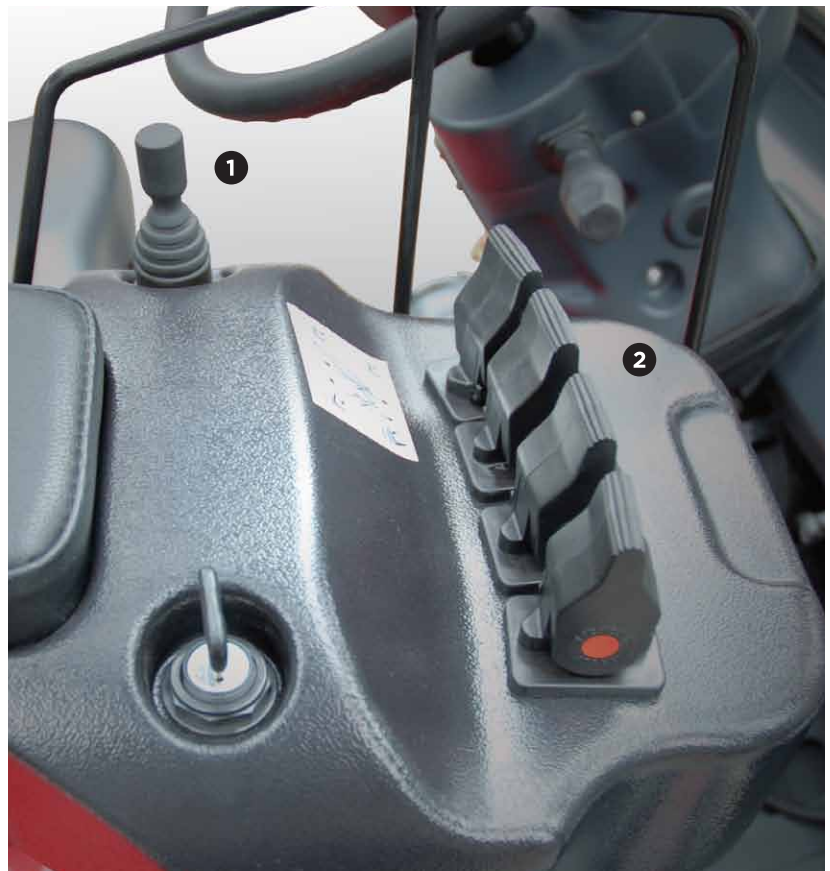


Deluxe Suspension Seat

Ergonomically designed, the Grammer Deluxe Suspension Seat can be adjusted to accommodate a wide range of operator weights and heights with both suspension adjustment and generous forward and backward adjustability.

High Visibility Overhead Guard

Excellent visibility is maintained through the heavy-duty safety cage, and as an integrated part of the chassis the overhead guard provides optimal durability and protection for your operators.



1 Joystick Hydraulic Control (Optional)

The optional Joystick Hydraulic Control is available to control the masts lifting, lowering, and tilting functions. The attached armrest, combined with short joystick strokes, provide optimum efficiency and reduced operator strain.

2 Mini Levers (Optional)

Easily accessible fingertip controls operate the forward/reverse functions. A fingertip controlled electric solenoid provides fast and easy directional changes, reduces operator fatigue, and leads to more efficient operation.

EXCEPTIONAL PERFORMANCE

Built with rugged transmissions and industry-standard engines engineered for reduced noise and emissions, all Professional Series trucks provide a durable power train designed to protect your working environment and operate with outstanding efficiency.



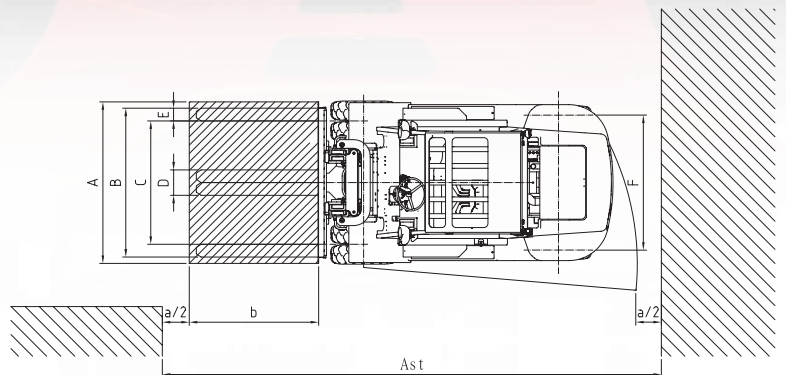
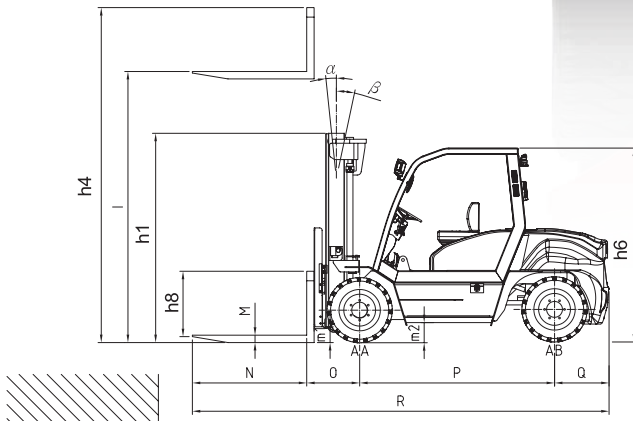
Stable Dual Front Wheels



Wide Angle Rearview Mirrors



Optional Cabin Available





Proven Okamura Transmission

The Okamura transmission was developed specifically for industrial vehicles and has industry proven performance and reliability. Creatively designed, the reversing of the direction of the stator effectively doubles the torque. Delivering a driving speed in low gear that would typically be produced in second gear.

Advantages

- Smoother Ride with Fewer Gear Shifts
- Increased Torque Ratio
- Reduced Wear on Shifting Components, Improving Performance and Durability



Perkins 1106D Diesel Engine

The six-cylinder Perkins 1106D has almost 30% more horsepower than other engines in its class. It incorporates a high pressure common rail fuel system, multi-port fuel injection and oil injection pressure of 23,000 psi to deliver higher efficiency than previous generations of engines. The ECU electronic control system is completely digital with engine self-diagnosis and protection features built in.

Classification

- US EPA Approved



GM 4.3L LPG Engine

The GM Vortec 4.3L industrial engine is designed for uncompromising strength and outstanding power with no sacrifice in fuel efficiency or durability. A counter-rotating balance shaft cancels the primary engine vibrations found in 90° V-6 engines; the result is smooth performance and low noise. Additionally, hydraulic roller valve lifters and roller rocker arms help provide smooth, quiet and efficient operation.

Classification

- US EPA Approved

SPECIFICATIONS

Model			FD60	FG60	FD70	FG70	FD80	FD100
Capacity	Q	lbs	13200		15400		17000	22000
Load Center	C	in	24		24		24	24
Control Type			Sit		Sit		Sit	Sit
Total Width	B	in	79.1		79.1		89.0	89.0
Height Mast Lowered	h1	in	98.4		103.3		106.3	112.2
Height Mast Extended	h4	in	171.9		171.7		173.3	178.0
Overhead Guard Height	h6	in	96.5		96.5		99.2	100.0
Total Length	R	in	139.1		141.5		157.8	168.1
Fork Length	N	in	48		48		48	48
Tires	front/rear		4/2		4/2		4/2	4/2
Size	front		8.25-15-14PR		8.25-15-14PR		8.25-15-14PR	9.00-20-14PR
	rear		8.25-15-14PR		8.25-15-14PR		9.00-16-14PR	9.00-20-14PR
Engine Model			Perkins 1106D	GM 4.3L	Perkins 1106D	GM 4.3L	Perkins 1106D	Perkins 1106D
Fuel Type			Diesel	LPG	Diesel	LPG	Diesel	Diesel
Displacement	L		6.6	4.3	6.6	4.3	6.6	6.6
Rated Power	hp/rpm		157/2200	94.27/2600	157/2200	94.27/2600	157/2200	157/2200
Rated Torque	lb ft/rpm		503.8/1400	205.9/1400	503.8/1400	205.9/1400	503.8/1400	503.8/1400
No. of Cylinders			6	6	6	6	6	6
Transmission Type			Power Shift					
Manufacturer			OKAMURA					
			TAILIFT					

Stärke Material Handling Group is committed to providing a broad selection the toughest trucks for the most challenging applications. Every model is designed to deliver optimal efficiency, comprehensive operator ergonomics and safety, and unsurpassed reliability at an unbeatable value for your dollar.

Our family of products provides a solution for every material handling situation. From manual and electric pallet trucks, stackers, reach trucks and order pickers, three and four wheel electric forklifts, and up to 22,000 lb internal combustion engine forklifts - every piece of equipment we sell is backed by first class warranties, a fully stocked parts department, and a dealer network with factory trained technicians.

Stärke is German for 'strength' and it perfectly describes how we deliver in design, customer service and value. It describes our commitment to worker safety and to our products themselves, each built for years of trouble free service.



ISO 14001-2004

Our factory has adopted an effective environmental management system (EMS) that helps to support environmental protection and prevention of pollution. In doing so, we can effectively measure and reduce our environmental footprint.

ISO 9001:2008

We take pride in the fact our factory has a certified quality management system in design, development, manufacturing & service.

ANSI B56.1

Our customers can have confidence in the knowledge that all of our Stärke trucks meet and/or exceed all safety standards required by the current ANSI B56.1.

CAN/CSA B335

Stärke Material Handling Group diligently follows the requirements with respect to lift truck design and construction, maintenance and inspection, safe operation, and operator training when it comes to our products. All of our Stärke products meet and/or exceed all safety standards required by the current CAN/CSA B335.



Stärke Material Handling Group

Toll Free: 1-877-435-4352
Telephone: 905-227-7554
Fax: 905-227-2072
Email: info@starkeforklift.com
www.starkeforklift.com

