

## Bewegung means Motion.

The Stärke Bewegung includes German engineering and design aspects which power over the competition in strength, versatility and usability. This single-passenger electric stock picker has been designed to pick and move stock and parts throughout your facility. With the added bonus of a 6 step ladder, you will be able to pick and place items easily and then haul the materials to their destination on the stock picker's cargo deck.



### FEATURES

#### Load Capacity

- 300 lbs

#### Weight with Battery

- 1235 lbs

#### Battery

- 24/225aH

#### Controls

- Easy to operate single pedal for accelerator & brake
- canBUS Programmable controls

#### Frame

- Deck Size - 56 x 30.3"
- H" type axle design offers good stability
- Length 88"
- Width 30.3"
- Turning radius 50.4"

#### Powertrain/electrical

- DC brushless motor
- Travel speed 7.5 mph unloaded, 4.3 mph loaded
- 4.3 HP motor

#### Options

- Optional 4 or 6 step ladder available - attaches to the back for easier order picking

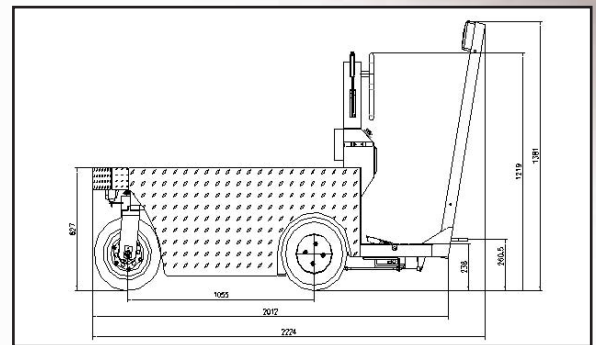
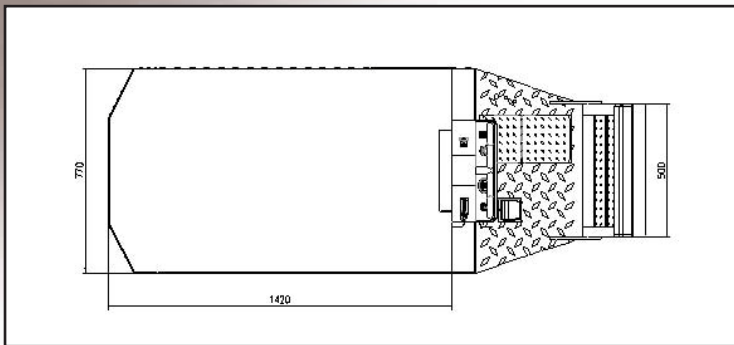
UTT25R



### Bewegung Series

### Why Choose a Stärke Bewegung over a competitor?

Stock Chaser	Stärke Bewegung	Cushman Stock Chaser	Motrec E-266
Tow Capacity	4840 lbs	1,000 lbs	1,700 lbs
Size of Unit L x W	88.0 x 30.3"	84.0 x 29.5"	87.0 x 30.0"
Weight	828 lbs	810 lbs	840 lbs



Bewegung Stock Picker		UTT25R
Capacity	lbs	300
Overall length	in	88.0
Overall width	in	30.3
Tire Size	Front/Rear	15 x 4.5-8
Wheels, number fron/rear (x=drive wheels)		1/2x
Wheelbase	in	42.0
Backrest height	in	54.0
LadderHeight	in	111.0
Deck height	in	24.7
Deck size	in	56.0 x 30.3
Turning radius	in	50.4
Ground clearance	in	3.0
Travel Speed	Laden	mph 4.3
Travel Speed	Unladen	mph 7.5
Drive motor capacity	hp	4.3
Battery Voltage	v/Ah	24/225
Battery Weight	lbs	407
Service Weight	lbs	1235
Battery Dimensions	in	30.4 x 11.1 x 12.0
Battery Dimensions	l x w x h	in 30 x 10.7 x 11.7



UTT25R

Meets or exceeds ASME B56.1 and CSA B335 Standards. Specifications are subject to change without notice.